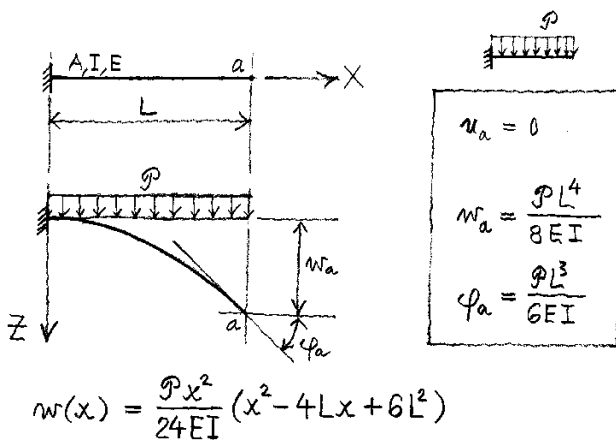
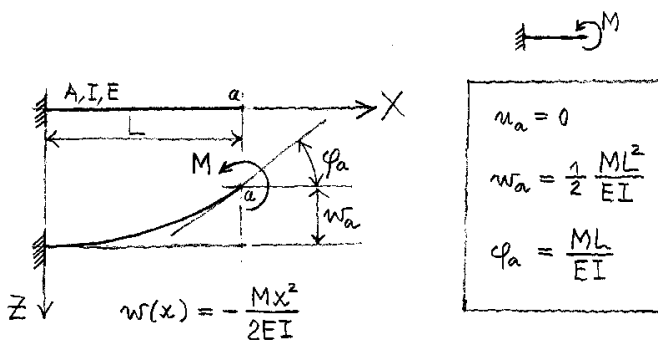
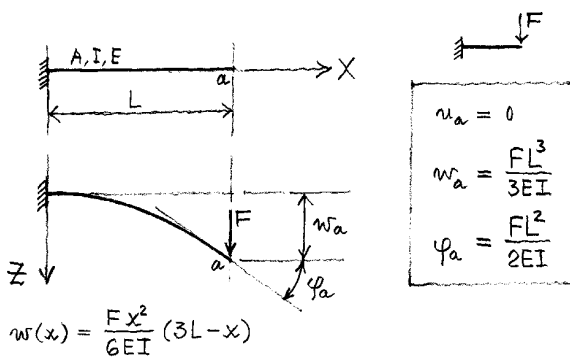
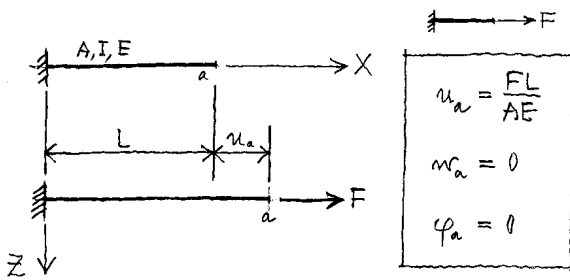
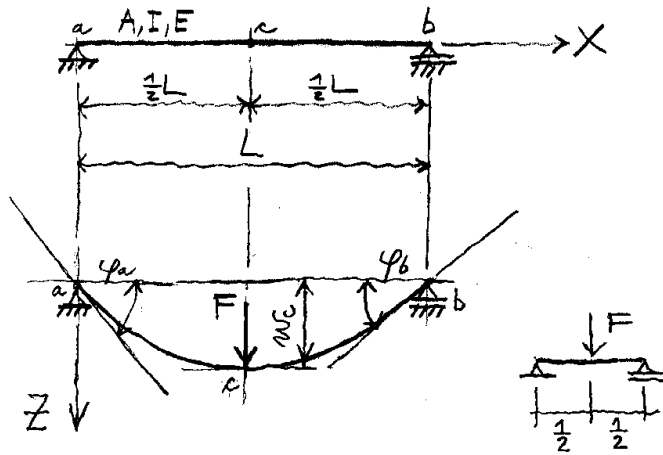


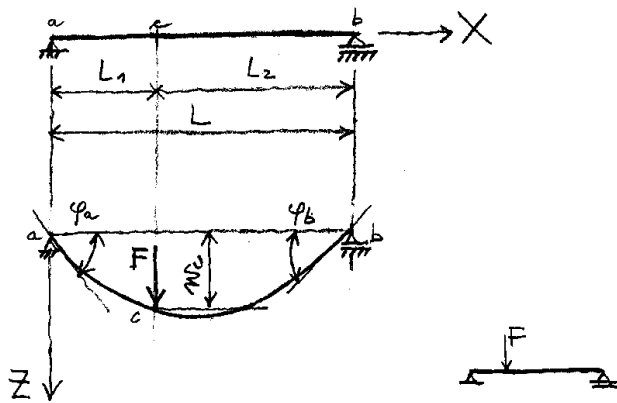
# Tabele za račun statično nedoločenih konstrukcij: konzola



Tabele za račun statično nedoločenih konstrukcij: prostoležeči nosilec



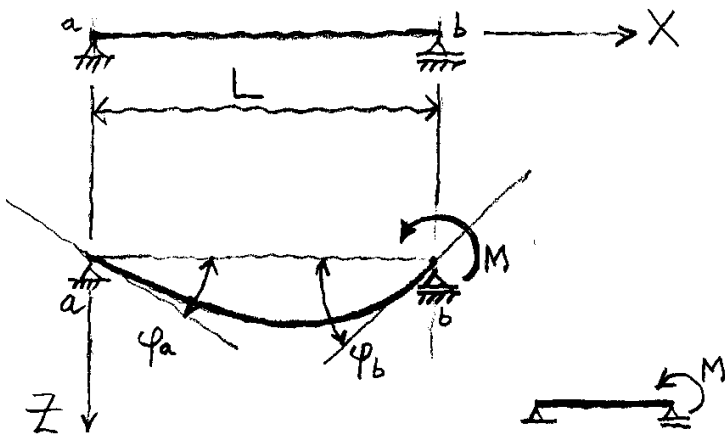
$u_a = 0$	$u_b = 0$	$u_c = 0$
$w_a = 0$	$w_b = 0$	$w_c = \frac{FL^3}{48EI}$
$\varphi_a = \frac{FL^2}{16EI}$	$\varphi_b = \frac{FL^2}{16EI}$	$\varphi_c = 0$



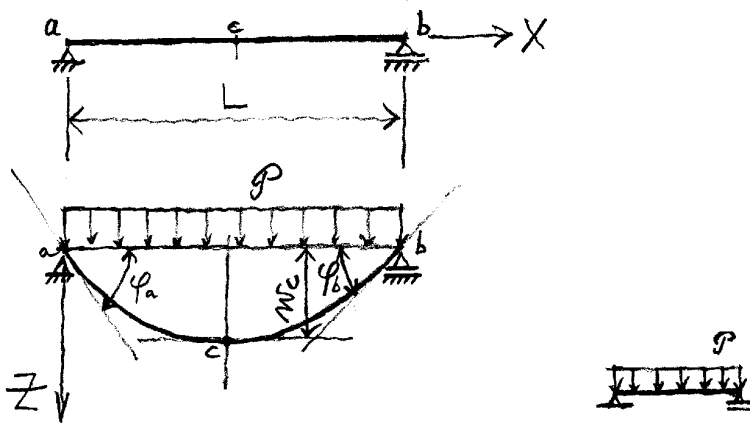
$u_a = 0$	$u_b = 0$
$w_a = 0$	$w_b = 0$
$\varphi_a = \frac{FL^2}{6EI} \frac{L_1}{L} \frac{L_2}{L} \left(1 + \frac{L_2}{L}\right)$	$\varphi_b = \frac{FL^2}{6EI} \frac{L_1}{L} \frac{L_2}{L} \left(1 + \frac{L_1}{L}\right)$

$w_c = 0$
$w_c = \frac{FL^3}{3EI} \left(\frac{L_1}{L}\right)^2 \left(\frac{L_2}{L}\right)^2$
$\varphi_c = \frac{FL^2}{3EI} \frac{L_1}{L} \frac{L_2}{L} \frac{L_2 - L_1}{L}$

Tabele za račun statično nedoločenih konstrukcij: prostoležeči nosilec



$u_a = 0$	$u_b = 0$
$w_a = 0$	$w_b = 0$
$\varphi_a = \frac{ML}{6EI}$	$\varphi_b = \frac{ML}{3EI}$



$u_a = 0$	$u_c = 0$	$u_b = 0$
$w_a = 0$	$w_c = \frac{5PL^4}{384EI}$	$w_b = 0$
$\varphi_a = \frac{PL^3}{24EI}$	$\varphi_c = 0$	$\varphi_b = \frac{PL^3}{24EI}$

$$w(x) = \frac{Px}{24EI} (x^3 - 2Lx^2 + L^3)$$