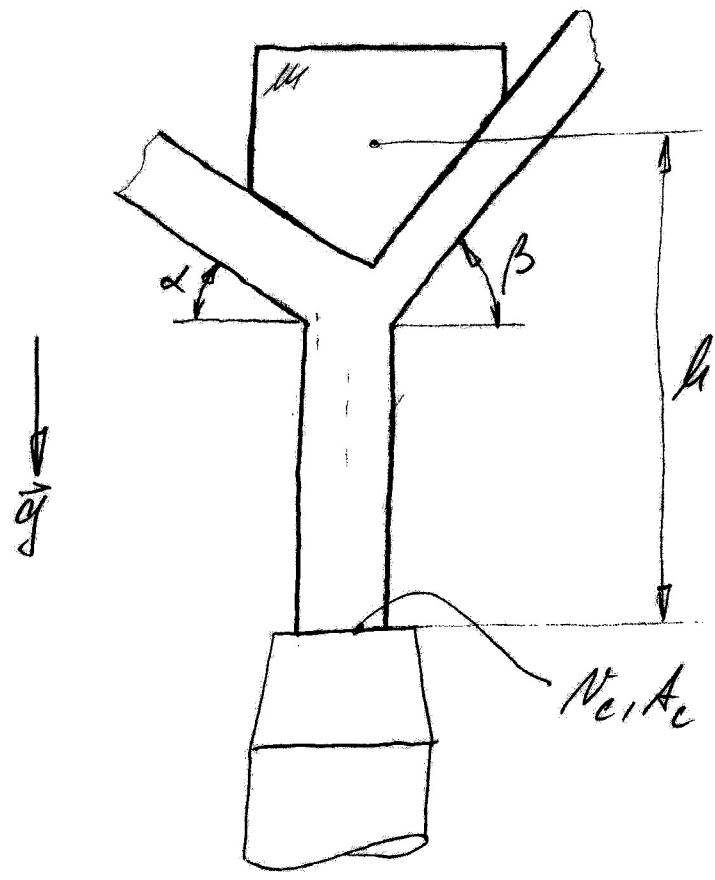


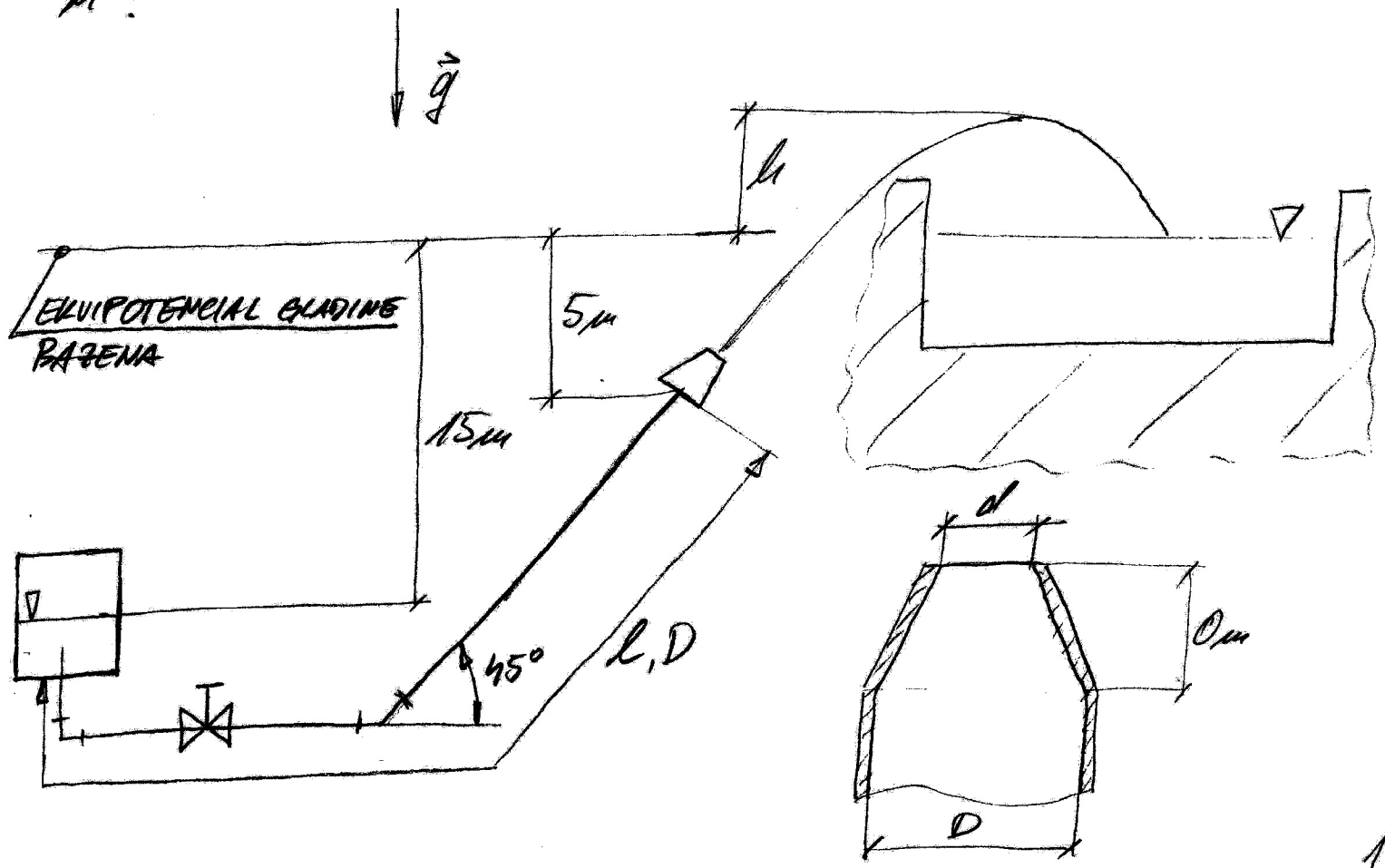
1. KOLIKŠNA MAS BO MASA KLAPE, DA MIROJE. KLADE NI VPETA.



$N_c = 28 \text{ m/s}$
 $A_c = 1 \text{ dm}^2$
 $\rho = 1000 \text{ kg/m}^3$
 $|\vec{g}| = 9,81 \text{ m/s}^2$
 $m = ?$

$\alpha, \beta = \text{PODANO IZ TABELE}$

2. KOLIKŠEN MAS BO NAPTLAK, DA VEDA BRIZGA DO h?

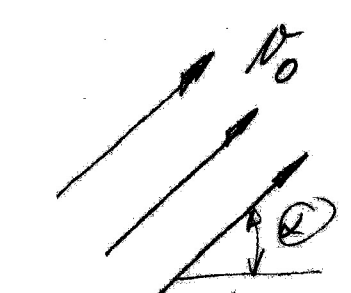
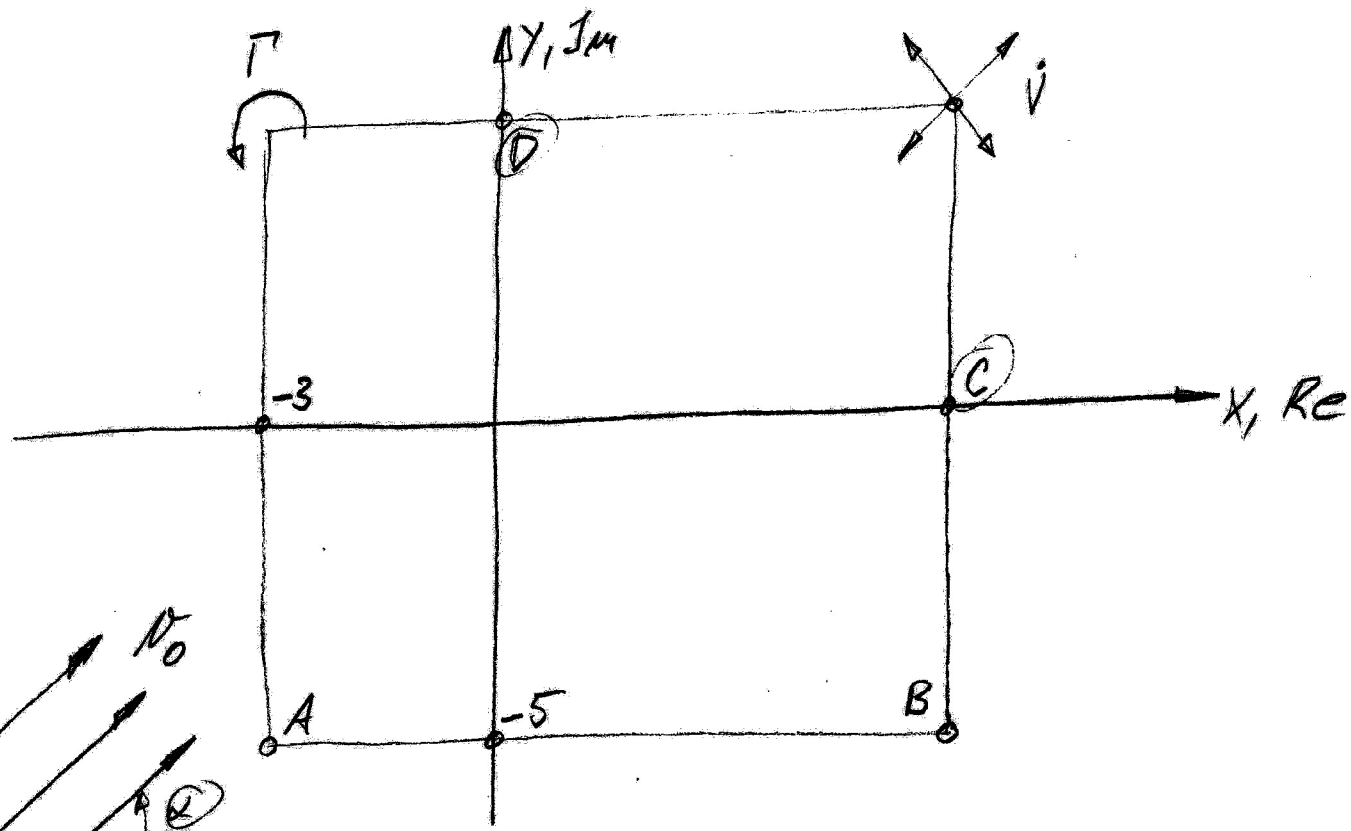


$k = 50 \mu\text{m}$
 $\nu = 10^{-6} \text{ m}^2/\text{s}$
 $\rho = 1000 \text{ kg/m}^3$
 $|\vec{q}| = 3,81 \text{ m/s}^2$

$g_k = 0,2$
 $g_v = 1,2$
 $L = 100 \text{ m}$

h, D, d POPAN 17 TABEL, ŠOBA JE IDEALNA.

3.



$N_0 = 5 \text{ m/s}$
 $P_A = 2 \text{ bar}$
 $\vec{N}_A = (3, 5) \text{ m/s}$
 $\rho = 10^3 \text{ kg/m}^3$

$C, D, d - 17 \text{ TABEL}$

- $\vec{v} = ?$
- $\Gamma = ?$
- $P_B = ?$
- $\vec{N}_B = ?$