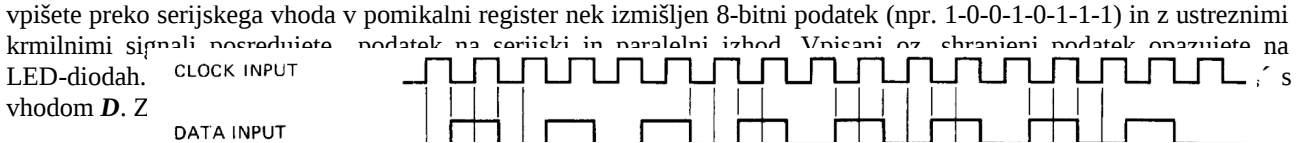


Analiza in sinteza digitalnih vezij

11. Vaja: Meritve na 8-stopenjskem pomikalno-pomnilnem registru

Navodila za delo:

Temeljito proučite tehnične podatke za integrirano vezje HEF4094B. Na podlagi tehničnih podatkov spoznajte način delovanja, nato pa s pomočjo digitalne testne plošče preizkusite delovanje vezja. Vhode vezja **CP**, **D**, **STR** in **OE** priključite na digitalne teste. Izhodno vezje vezja je zasvovalnik z LED-diodami. Pravilnost delovanja preizkusite tako, da vpišete preko serijskega vhoda v pomikalni register nek izmišljen 8-bitni podatek (npr. 1-0-0-1-0-1-1-1) in z ustreznimi krmilnimi signali navedenih vhodov dobite izhodne signale na serijski in paralelni izhod. Vpisani 8-bitni podatek opazujete na LED-diodah.



DESCRIPTION

The HEF4094B is an 8-stage serial shift register having a storage latch associated with each stage for strobing data from the serial input to parallel buffered 3-state outputs O0 to O7. The parallel outputs may be connected directly to common bus lines. Data is shifted on positive-going clock transitions. The data in each shift register stage is transferred to the storage register when the strobe (STR) input is HIGH. Data in the storage register appears at the outputs whenever the output enable (EO) signal is HIGH. Two serial outputs (Os and O's) are available for cascading a number of HEF4094B devices. Data is available at Os on positive-going clock edges to allow high-speed operation in cascaded systems in which the clock rise time is fast. The same serial information is available at O's on the next negative-going clock edge and provides cascading HEF4094B devices when the clock rise time is slow.

APPLICATION INFORMATION

Some examples of applications for the HEF4094B are:

- Serial-to-parallel data conversion
- Remote control holding register

Narišite časovni diagram za vsakega od serijskih izhodov Os in O's.

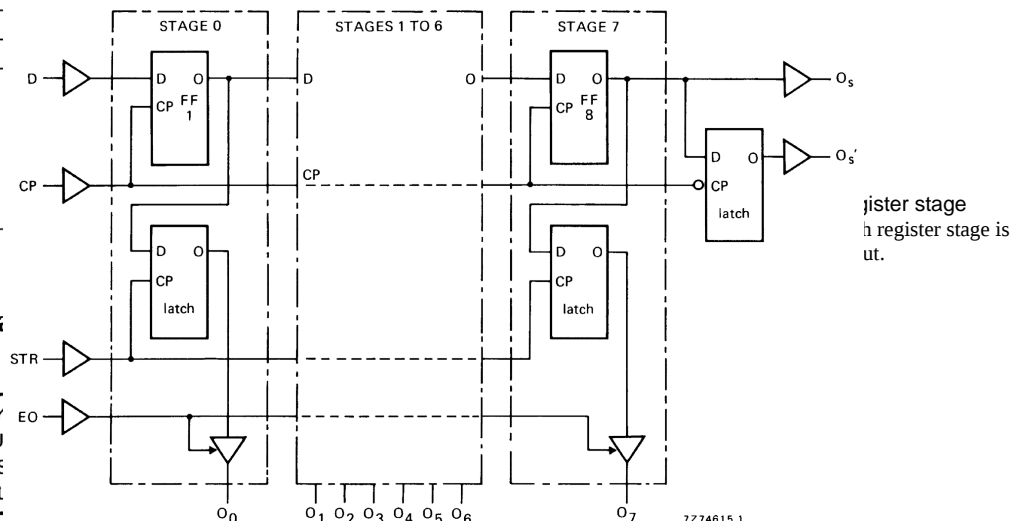


Razpored priključkov HEF4094B:

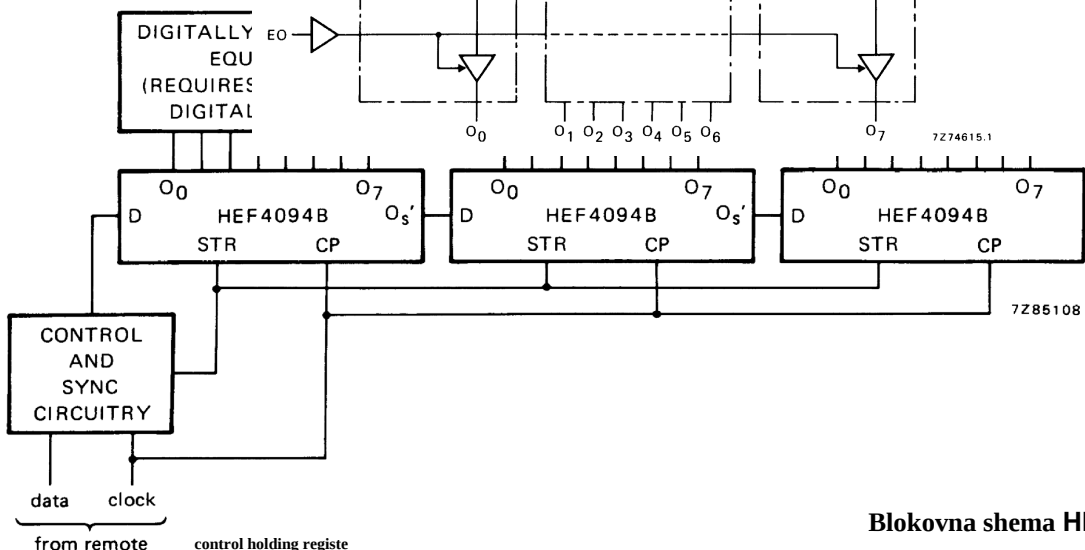
Blokovna shema HEF4094B:

TABLE Poenostavljena shema HEF4094B:

INPUTS			
CP	EO	STR	D
High	Low	X	X
High	Low	X	X
High	High	L	X
High	High	H	L
High	High	H	H
High	High	H	H



Tipična aplikacija:



Blokovna shema HEF4094B:

ČASOVNI DIAGRAMI:

